



SUBMITTAL SHEET

www.aerosonics.com



SOUND ATTENUATOR

RECTANGULAR
STANDARD MODEL
FIBERGLASS FILL

PRODUCT FEATURES

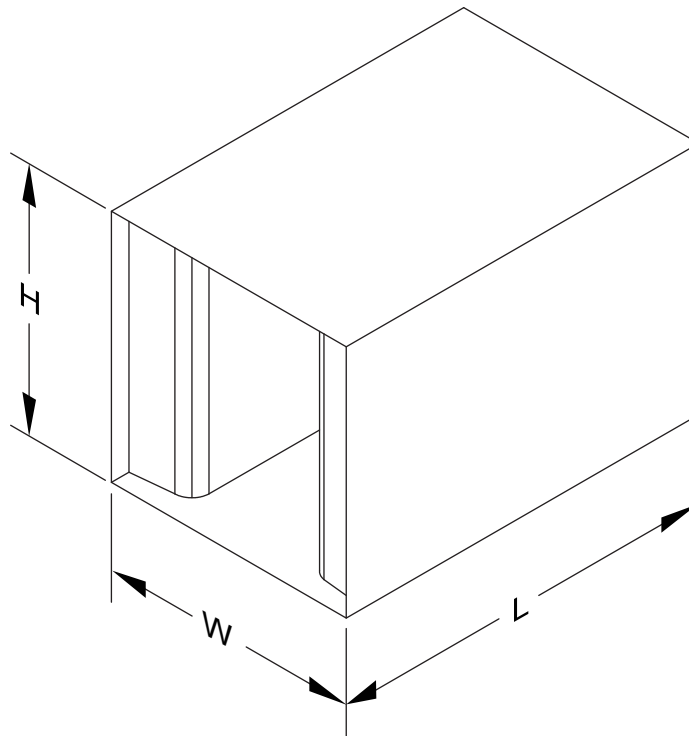
- **FILL:** Fiberglass under compression
- Tested in accordance with ASTM E-477
- Single piece construction from:
6" x 6" to 48" x 48"
- **ASTM-E84 Rating Characteristics:**
Flamespread - 10
Smoke Developed - 10

CONSTRUCTION FEATURES

- **Casing:**
22 Gauge Galvanized Steel
- **Baffles:**
24 Gauge Perforated Galvanized Steel

MODELS

- UHP** Ultra High Pressure
- HP** High Pressure
- MHP** Medium High Pressure
- MP** Medium Pressure
- MLP** Medium Low Pressure
- LP** Low Pressure
- ULP** Ultra Low Pressure



All dimensions are in inches.

JOB NAME:

SUBMITTED BY: