



SUBMITTAL SHEET

www.aerosonics.com



SOUND ATTENUATOR

RECTANGULAR
LOW FREQUENCY
FIBERGLASS FILL

PRODUCT FEATURES

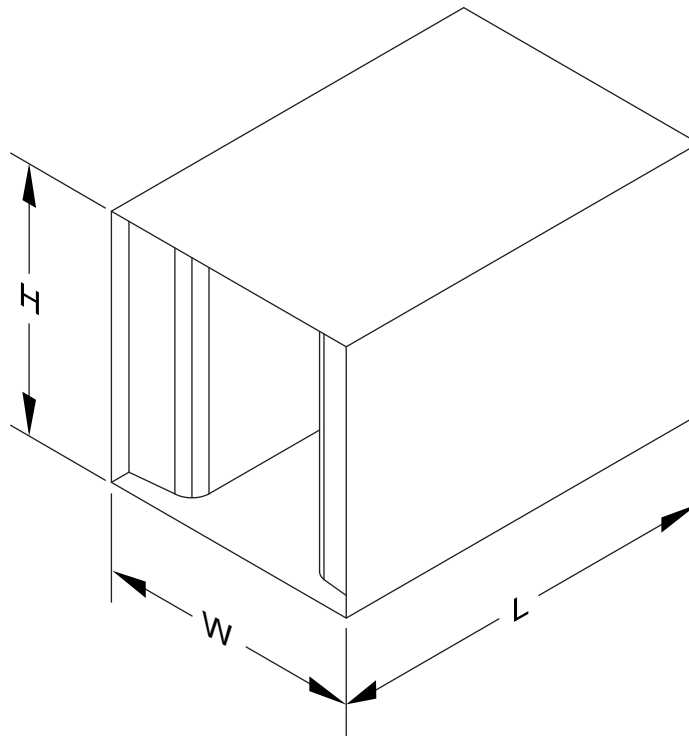
- **FILL:** Fiberglass under compression
- Tested in accordance with ASTM E-477
- Single piece construction from:
6" x 6" to 48" x 48"
- **ASTM-E84 Rating Characteristics:**
Flamespread - 10
Smoke Developed - 10

CONSTRUCTION FEATURES

- **Casing:**
22 Gauge Galvanized Steel
- **Baffles:**
24 Gauge Perforated Galvanized Steel

MODELS

- LUHP** Ultra High Pressure
- LHP** High Pressure
- LMHP** Medium High Pressure
- LMP** Medium Pressure
- LMLP** Medium Low Pressure
- LLP** Low Pressure
- LULP** Ultra Low Pressure



All dimensions are in inches.

JOB NAME:

SUBMITTED BY: