



SUBMITTAL SHEET

www.aerosonics.com



SOUND ATTENUATOR

RECTANGULAR
LOW FREQUENCY
MOLD RESISTANT
COTTON FILL

PRODUCT FEATURES

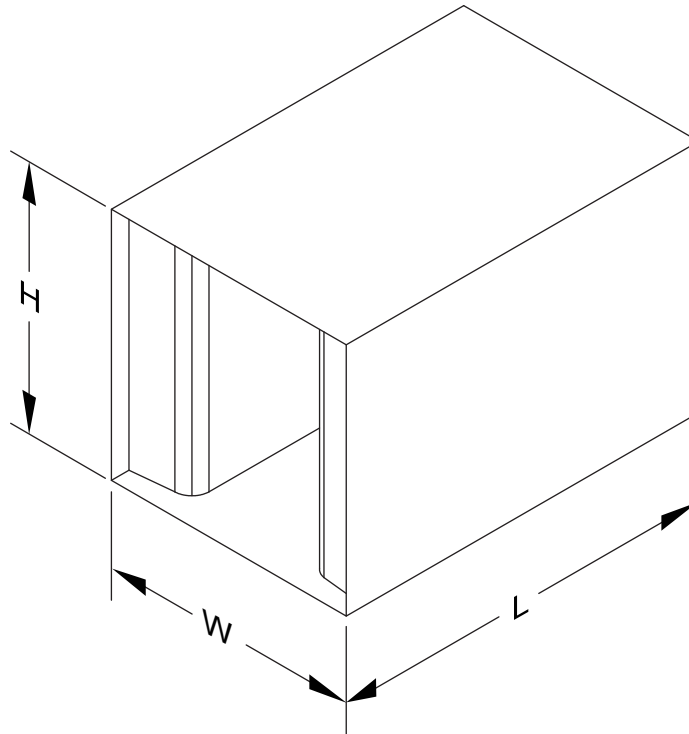
- **FILL:** Mold resistant cotton under compression
- Tested in accordance with ASTM E-477
- Single piece construction from: 6" x 6" to 48" x 48"
- **ASTM-E84 Rating Characteristics:**
Flamespread - 5
Smoke Developed - 35

CONSTRUCTION FEATURES

- **Casing:**
22 Gauge Galvanized Steel
- **Baffles:**
24 Gauge Perforated Galvanized Steel

MODELS

- RLUHP** Ultra High Pressure
- RLHP** High Pressure
- RLMHP** Medium High Pressure
- RLMP** Medium Pressure
- RLMLP** Medium Low Pressure
- RLLP** Low Pressure
- RLULP** Ultra Low Pressure



All dimensions are in inches.

JOB NAME:

SUBMITTED BY: