



# SUBMITTAL SHEET

www.aerosonics.com



# SOUND ATTENUATOR

RECTANGULAR  
HOSPITAL / CLEAN ROOM  
MOLD RESISTANT  
COTTON FILL

### PRODUCT FEATURES

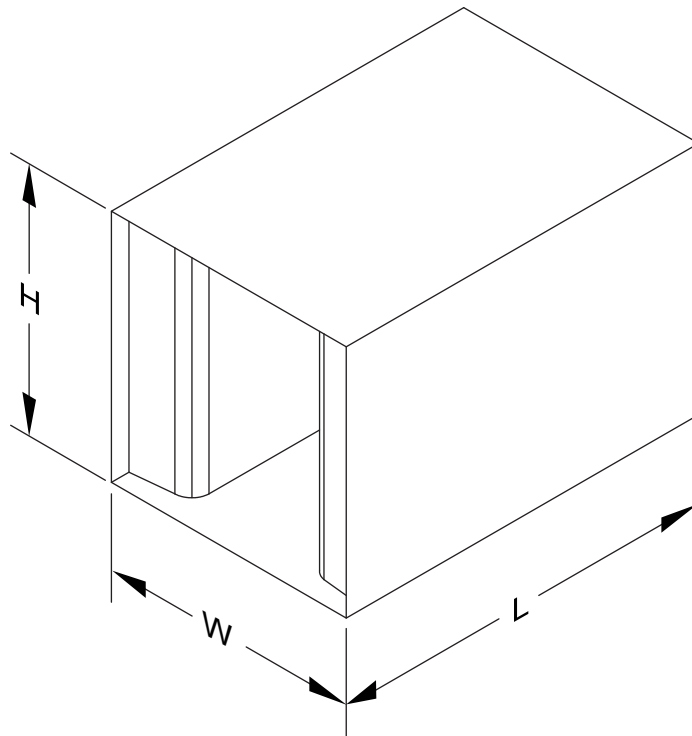
- **FILL:** Mold resistant cotton, encapsulated in polyethylene to eliminate erosion and absorption of gases. An acoustical stand-off is placed between the perforated baffle and the fill.
- Tested in accordance with ASTM E-477
- Single piece construction from:  
6" x 6" to 48" x 48"
- **ASTM-E84 Rating Characteristics:**  
Flamespread - 0  
Smoke Developed - 35

### CONSTRUCTION FEATURES

- **Casing:**  
22 Gauge Galvanized Steel
- **Baffles:**  
24 Gauge Perforated Galvanized Steel

### MODELS

- RUSPC** Ultra High Pressure
- RSPC** High Pressure
- RMSPC** Medium High Pressure
- RMPC** Medium Pressure
- RMLPC** Medium Low Pressure
- RLPC** Low Pressure
- RULPC** Ultra Low Pressure



All dimensions are in inches.

JOB NAME:

SUBMITTED BY: