



SUBMITTAL SHEET

www.aerosonics.com



SOUND ATTENUATOR

RECTANGULAR
LOW FREQUENCY
HOSPITAL / CLEAN ROOM
FIBERGLASS FILL

PRODUCT FEATURES

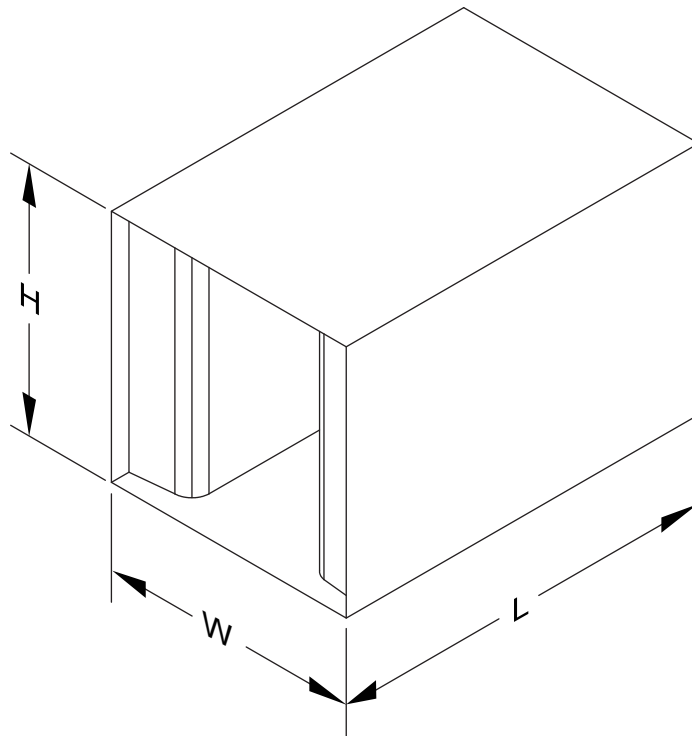
- **FILL:** Fiberglass, encapsulated in polyethylene to eliminate erosion and absorption of gases. An acoustical stand-off is placed between the perforated baffle and the fill.
- Tested in accordance with ASTM E-477
- Single piece construction from: 6" x 6" to 48" x 48"
- **ASTM-E84 Rating Characteristics:**
Flamespread - 0
Smoke Developed - 15

CONSTRUCTION FEATURES

- **Casing:**
22 Gauge Galvanized Steel
- **Baffles:**
24 Gauge Perforated Galvanized Steel

MODELS

- LUSPC** Ultra High Pressure
- LSPC** High Pressure
- LMSPC** Medium High Pressure
- LMPC** Medium Pressure
- LMLPC** Medium Low Pressure
- LLPC** Low Pressure
- LULPC** Ultra Low Pressure



All dimensions are in inches.

JOB NAME:

SUBMITTED BY: