



SUBMITTAL SHEET

www.aerosonics.com



SOUND ATTENUATOR PACKLESS RECTANGULAR STANDARD MODEL NO FILL

PRODUCT FEATURES

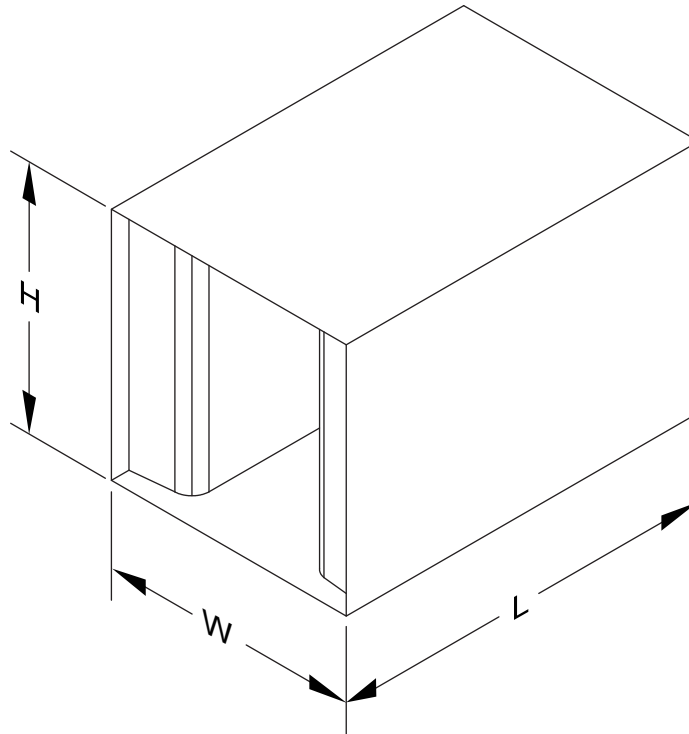
- **FILL:** None
- Tested in accordance with ASTM E-477
- Single piece construction from:
6" x 6" to 48" x 48"
- **ASTM-E84 Rating Characteristics:**
Flamespread - 0
Smoke Developed - 0

CONSTRUCTION FEATURES

- **Casing:**
22 Gauge Galvanized Steel
- **Baffles:**
26 Gauge Galvanized Steel

MODELS

- PHP** High Pressure
- PMP** Medium Pressure
- PLP** Low High Pressure



All dimensions are in inches.

JOB NAME:

SUBMITTED BY: