

SUBMITTAL SHEET

www.aerosonics.com



SOUND ATTENUATOR

TUBULAR
PACKLESS FOR ROUND DUCT
NO FILL

PRODUCT FEATURES

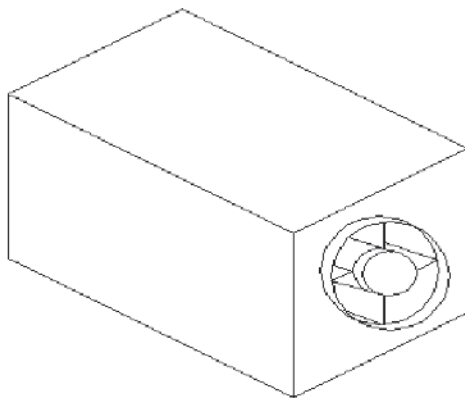
- **FILL:** None
- **Size:** 8" dia. & 12" dia. unit = 21" x 21" casing
16" dia. unit = 30" x 30" casing
- **Length:** RPL & RPS = 36"
REPL 8" dia. & 12" dia. = 51" C.L.
REPL 16" dia. = 60" C.L.

CONSTRUCTION FEATURES

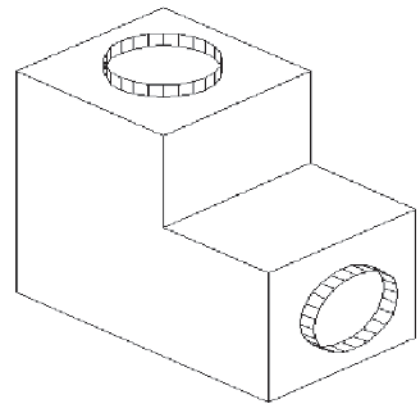
- **Casing:**
22 Gauge Galvanized Steel
- **Baffles:**
24 Gauge Perforated Galvanized Steel
- **Bullet:**
24 Gauge Perforated Galvanized Steel
(RPS Model Only)

MODELS

- RPS
- RPL
- REPL



In-Line Tubular



Elbow Unit

All dimensions are in inches.

JOB NAME:

SUBMITTED BY: